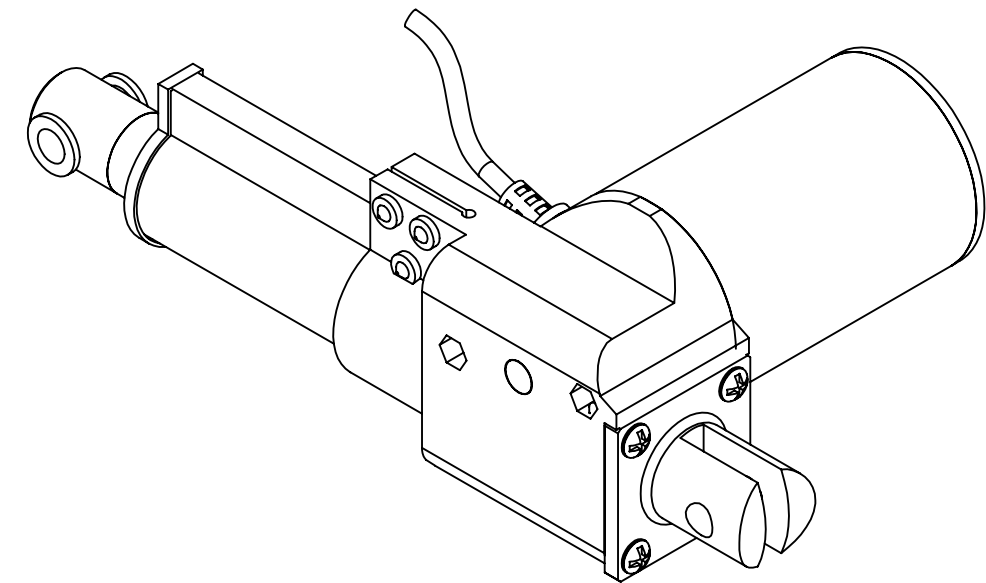
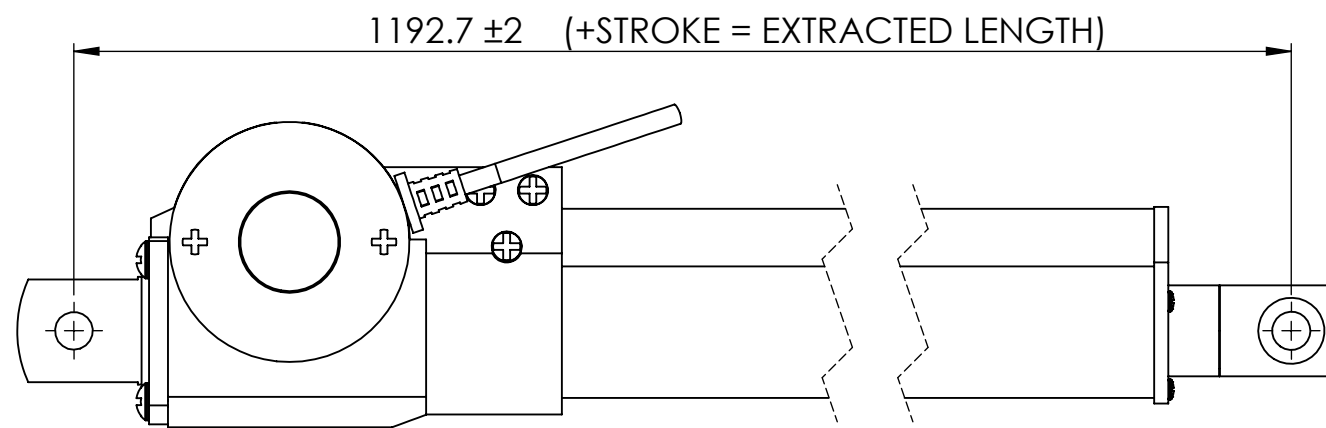
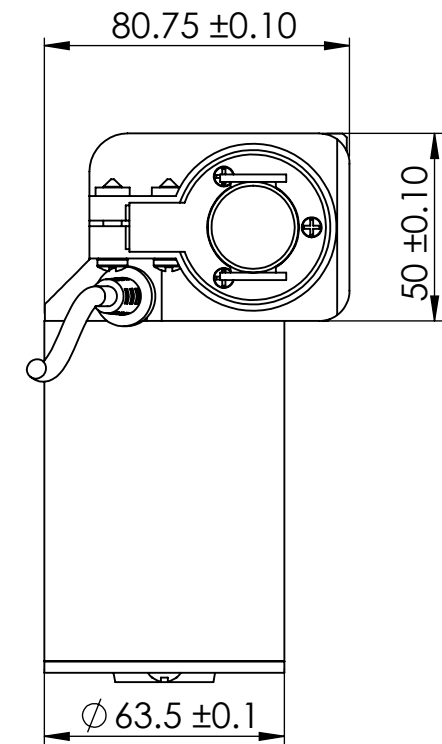
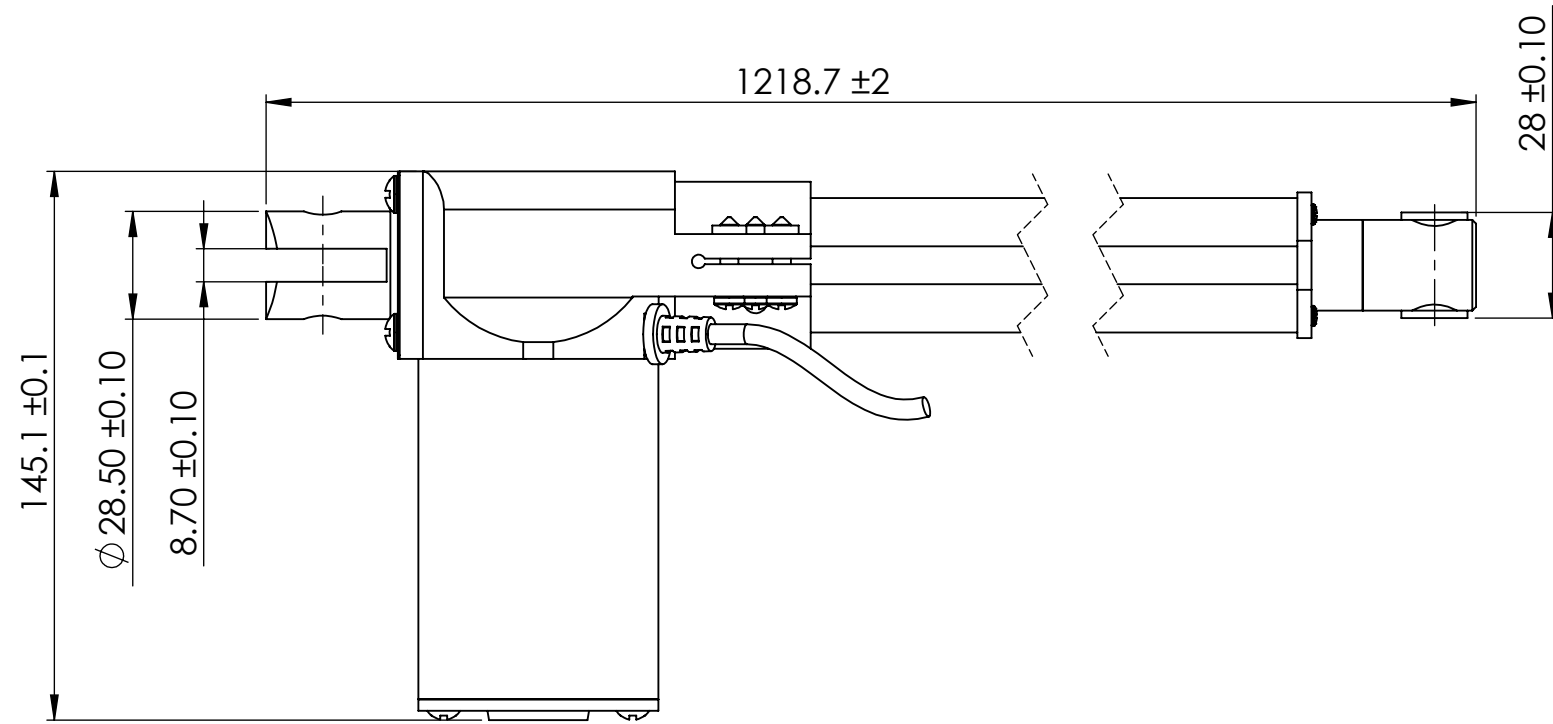


NOTE: THE INFORMATION CONTAINED IN THIS DRAWING IS THE SOLE PROPERTY OF PURLIN AUTOMATION INDIA PVT. LTD. ANY REPRODUCTION IN THE PART OR AS A WHOLE WITHOUT THE WRITTEN PERMISSION OF PURLIN AUTOMATION INDIA PVT. LTD. IS PROHIBITED.



ISOMETRIC VIEW

TECHNICAL SPECIFICATION

STROKE : GIVEN IN TITLE BLOCK
 RETRACTED LENGTH : 192.7+ STROKE LENGTH
 EXTRACTED LENGTH : 192.7 + (2X STROKE LENGTH)
 LOAD CAPACITY : 4000N TO 8000N
 SPEED : 3mm/sec TO 12mm/sec
 INPUT VOLTAGE : 12 TO 24 VDC

FOR MORE INFORMATION PLEASE REFER OUR CATALOGUE

UNLESS OTHERWISE SPECIFIED: DIMENSIONS ARE IN MILLIMETERS SURFACE FINISH: TOLERANCES: LINEAR: ANGULAR:				FINISH:		DEBUR AND BREAK SHARP EDGES		DO NOT SCALE DRAWING		REVISION	
DRAWN								PURLIN AUTOMATION INDIA PVT. LTD.			
CHK'D								DISCRIPTION :			
APPV'D								STROKE LENGTH 1000MM			
MFG								DWG NO.		PAI01V1	
Q.A								SCALE:1:2		SHEET 1 OF 1	
Material :								A3			
WEIGHT:											